

ROBERTS

CD9959

Stereo CD Radio



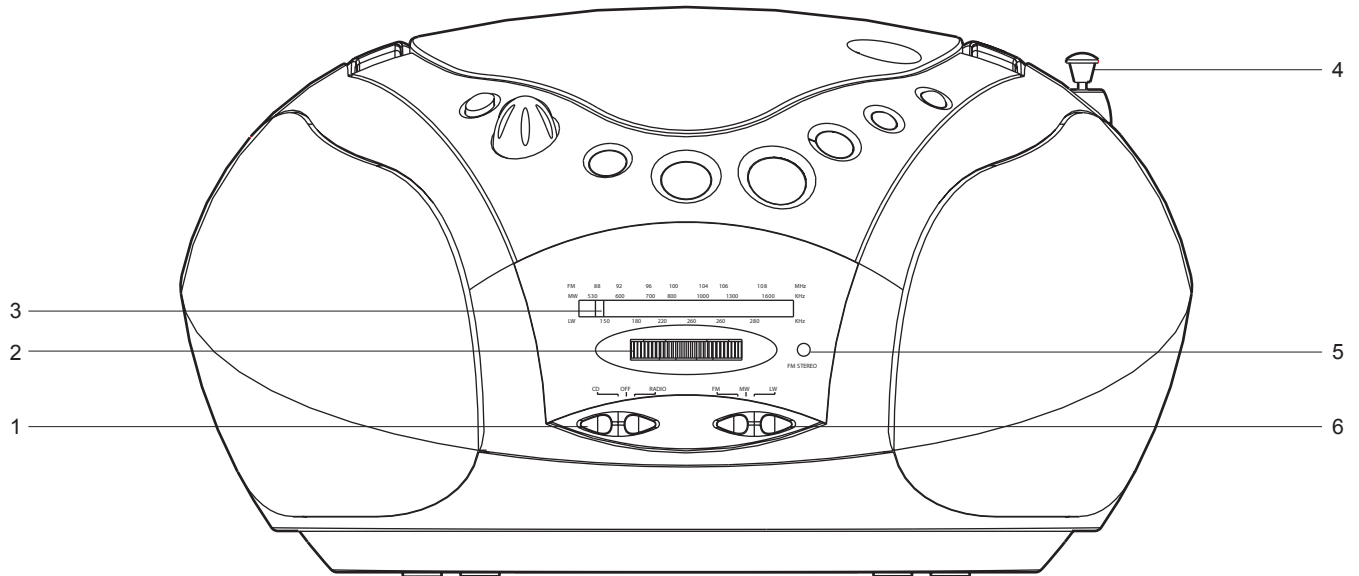
Swallow

Please read this manual before use

Contents

<i>Contents</i>	2
<i>Controls</i>	3-5
<i>Battery Operation</i>	6
<i>Mains Operation</i>	6
<i>Listening to the radio - FM</i>	7
<i>Listening to the radio - Medium and Long wave</i>	8
<i>Compact discs</i>	9
<i>Inserting a CD</i>	10
<i>Playing a CD</i>	11
<i>Selecting a track</i>	12
<i>Search function</i>	12
<i>CD Repeat mode</i>	13
<i>Programmed play</i>	14
<i>Editing a programme</i>	15
<i>Checking a programme</i>	16
<i>Erasing a programme</i>	16
<i>Headphones</i>	17
<i>General</i>	18
<i>Mains Supply</i>	18
<i>Specification</i>	20
<i>Guarantee</i>	23

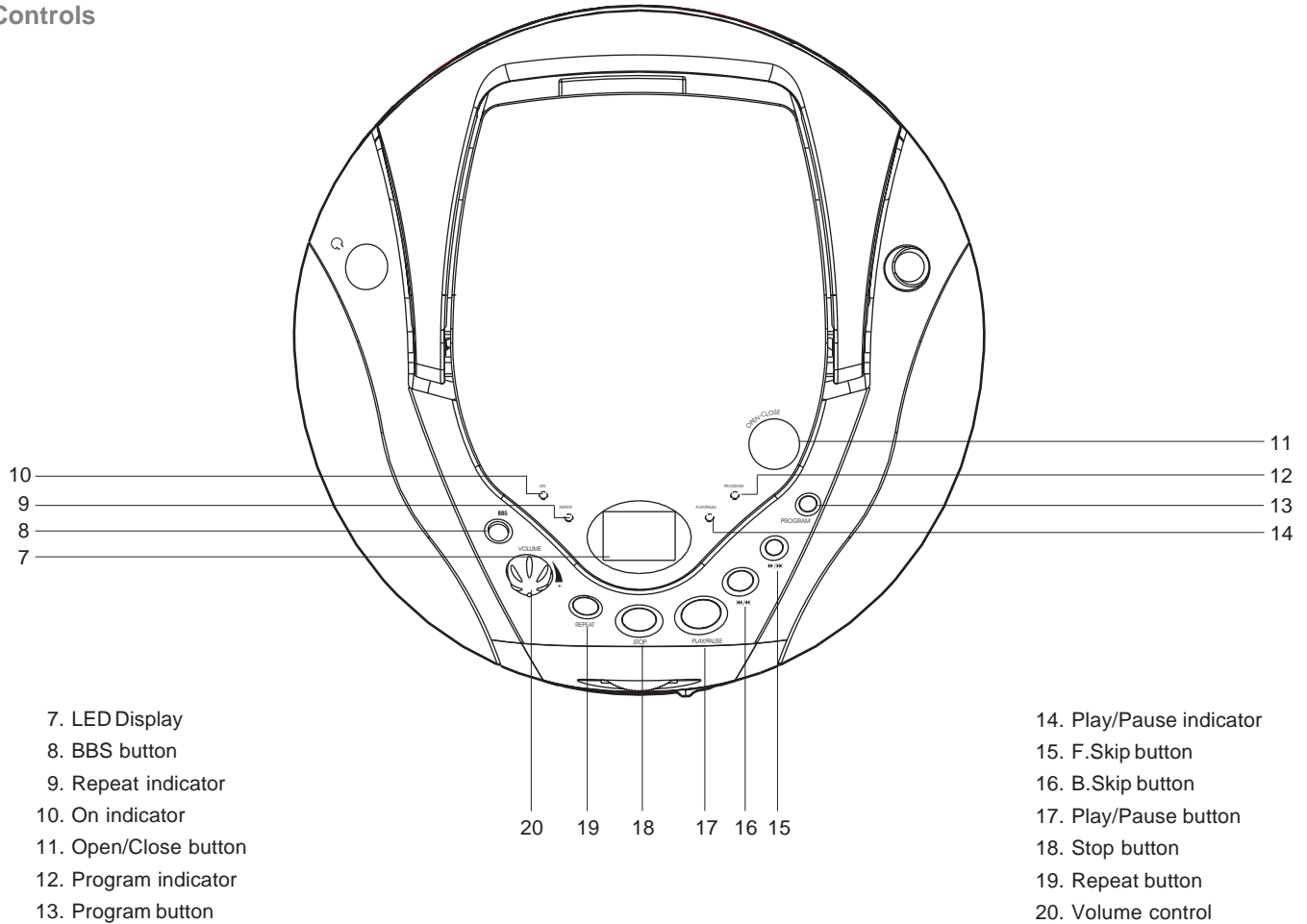
Controls



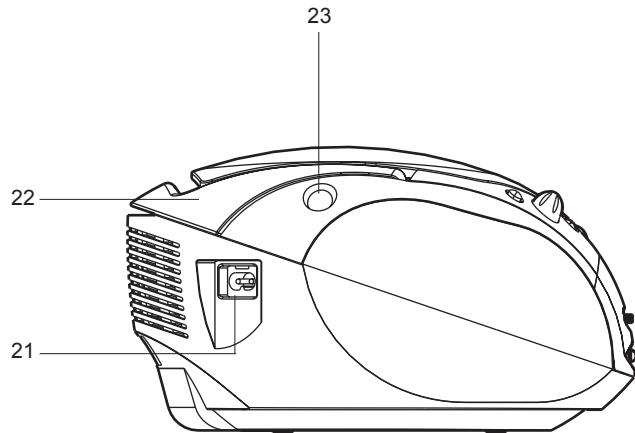
1. Function switch
2. Tuning control
3. Dial pointer

4. Telescopic aerial
5. FM Stereo indicator
6. Waveband switch

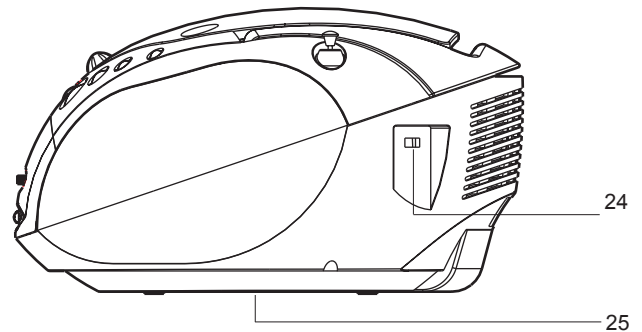
Controls



Controls



- 21. Mains power socket
- 22. Handle
- 23. Headphone socket



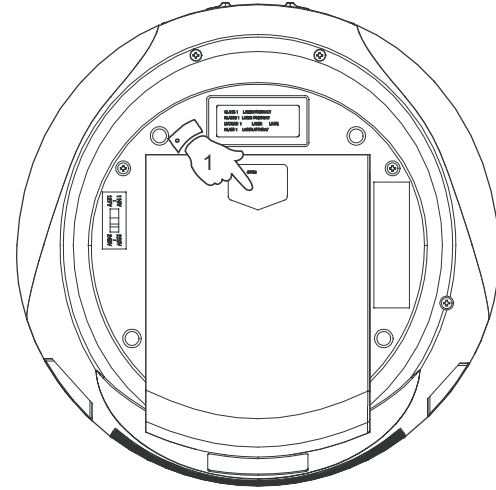
- 24. FM Mode switch
- 30. Battery compartment (on underside)

Battery operation

1. Slide the battery cover catch in the direction of the arrow. Open the battery cover.
2. Fit six LR14 (C size) batteries into the spaces in the compartment. Take care to ensure all batteries are inserted with the correct polarity as shown inside the battery compartment. Replace the battery cover.
3. Reduced power, distortion and a 'stuttering' sound are all signs that the batteries may need replacing. If your CD radio is not to be used for a prolonged period of time, remove the batteries to avoid damage by battery leakage.

We would recommend for economy that your CD radio is used on the mains whenever possible with battery operation for occasional or stand-by use only.

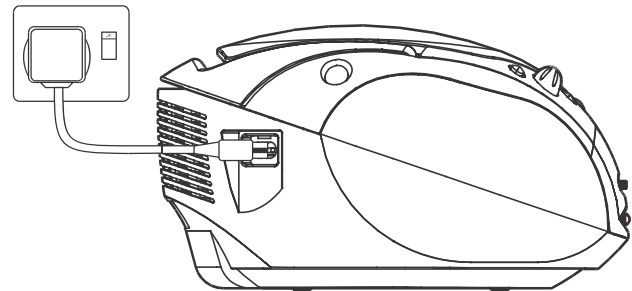
The batteries shall not be exposed to excessive heat such as sunshine, fire or the like. Attention should be drawn to the environmental aspects of battery disposal.



Mains operation

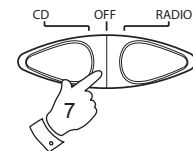
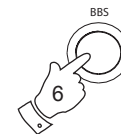
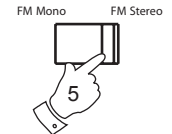
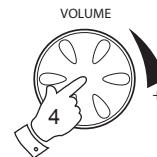
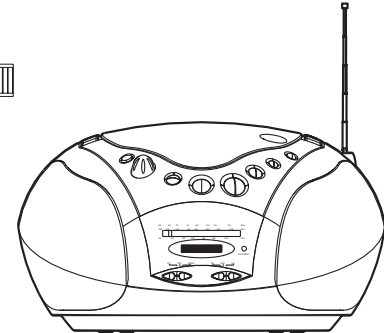
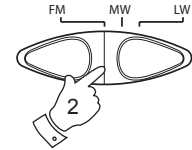
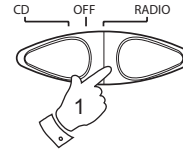
1. Place your CD radio on a flat surface.
2. Plug the mains lead into the **AC Mains socket** located towards the rear of the unit ensuring that the plug is pushed fully into the socket.
3. Plug the other end into a mains wall socket and switch on.

The mains plug is used as the means of connecting the device to the mains supply. The mains socket used for the device must remain readily accessible during normal use. In order to disconnect the device from the mains completely, the mains plug should be removed from the mains outlet completely.



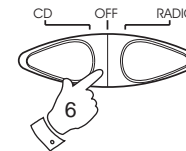
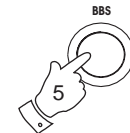
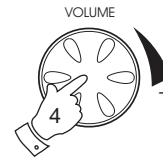
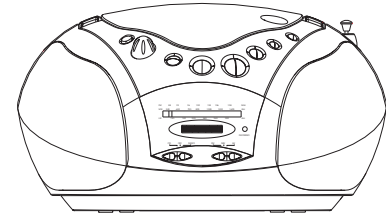
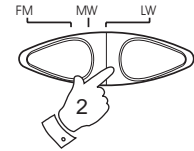
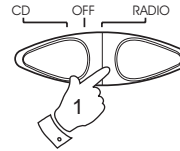
Listening to the radio - FM

1. Switch on your CD radio by sliding the **Function switch** to the 'Radio' position. The **On indicator** will light.
2. Slide the **Waveband switch** to the 'FM' position.
3. Tune in to the desired station by rotating the **Tuning control**. The station frequency is indicated in the dial scale.
The **Telescopic aerial** which is only operational on FM, should be fully extended and positioned for optimum reception.
4. Adjust the volume by rotating the **Volume control**.
5. To receive stereo broadcasts set the **FM Mode switch** located on the rear of the unit to the 'FM Stereo' position. The **FM Stereo indicator** will light up. If the station being received is weak some hiss may be audible, to reduce the hiss set the **FM Mode switch** to the 'FM Mono' position to return to mono operation.
6. Press the **BBS button** to activate the Bass Boost System. Press the **BBS button** again to deactivate the Bass Boost System.
7. The radio can be switched off by sliding the **Function switch** to the 'Off' position.




Listening to the radio - Medium and Long wave

1. Switch on your CD radio by sliding the **Function switch** to the 'Radio' position. The **On indicator** will light.
2. Select the required waveband by sliding the **Waveband switch** to the desired position.
3. Tune in to the desired station by rotating the **Tuning control**. The station frequency is indicated in the dial scale.
For MW and LW reception there is a built in ferrite aerial. Rotate the unit to the position giving best reception.
4. Adjust the volume by rotating the **Volume control**.
5. Press the **BBS button** to activate the Bass Boost System. Press the **BBS button** again to deactivate the Bass Boost System.
6. The radio can be switched off by sliding the **Function switch** to the 'Off' position.



Compact discs

Use only Digital Audio CDs which have the  symbol.

Never write on a CD or attach any sticker to the CD. Always hold the CD at the edge and store it in its box after use with the label facing up.

To remove dust and dirt, breathe on the CD and wipe it with a soft, lint-free cloth in a straight line from the centre towards the edge.

Cleaning agents may damage the CD

Do not expose the CD to rain, moisture, sand, or to excessive heat. (e.g. from heating equipment or in motor cars parked in the sun).

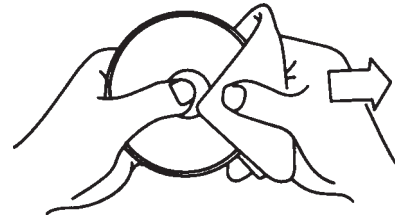
CD-R/CD-RW discs

Your CD clock radio can playback CD-DA format audio CD-R/CD-RW discs that have been finalised* upon completion of recording.

Your CD clock radio may fail to playback some CD-R/CD-RW discs due to poor recording of the CD-R/CD-RW disc.

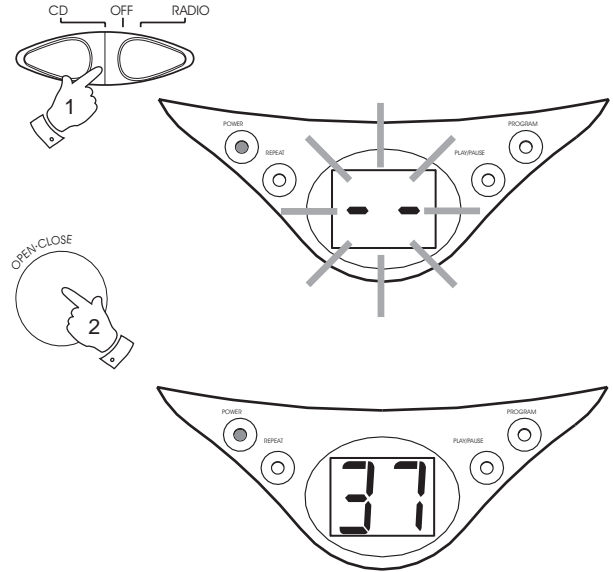
**Finalising enables a CD-R/CD-RW disc to playback on audio CD players such as your CD clock radio.*

Note: If the unit is in the CD stop mode position for more than 15 minutes it will automatically switch to the standby mode. The operation indicator and the display will go off in such a case. To use the unit again switch on the unit.



Inserting a CD

1. Set the **Function switch** to 'CD'. The **On indicator** will light up and '--' will flash on the display.
2. To open the CD compartment, push the **Open/Close button** on the **CD door**.
3. Press the CD onto the spindle until it clicks into place. Close the **CD door**. The CD player will scan the contents of the CD and the total number of tracks will appear on the display.
4. If the **Function switch** is set to 'CD' and a CD is not inserted the display will show 'no'.



Warning

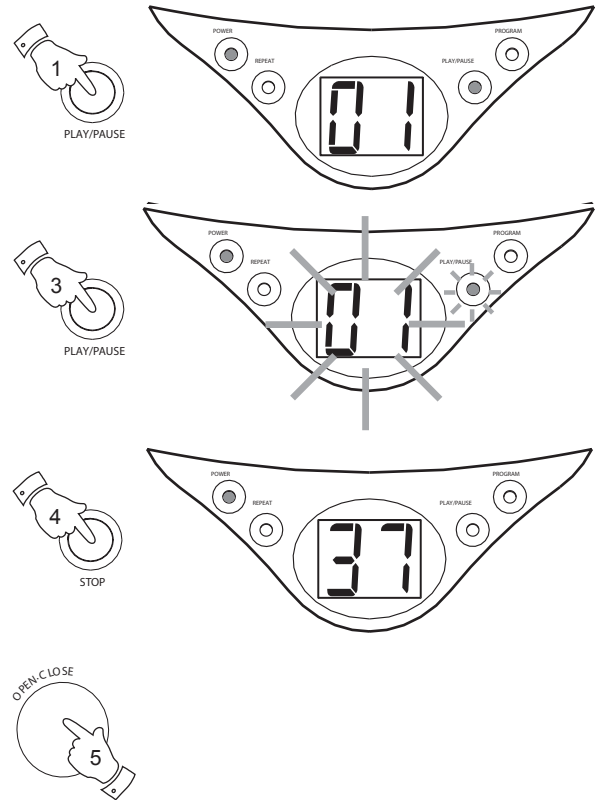
CLASS 1 LASER PRODUCT means that the laser's construction makes it inherently safe so that the legally prescribed maximum permissible radiation values can never be exceeded

Caution: Using any equipment or devices other than those described and specified in these operating instructions, or tampering with the unit in any way, can result in dangerous exposure to radiation.

**CLASS 1
LASER PRODUCT**

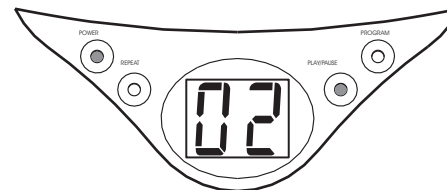
Playing a CD

1. Press the **Play/Pause button** to start playback. The **Play/Pause indicator** will light up and the display will show the track number.
2. Set the **Volume control** to the required setting. Press the **BBS button** to activate the Bass Boost System.
3. To pause playback press the **Play/Pause button**. The track number and **Play/Pause indicator** will flash. To resume playback press the **Play/Pause button** again.
4. To stop playback, press the **Stop button**. The total number of tracks will appear on the display.
5. To take out the CD, press the **Open/Close button** on the **CD door** to open the door. The **CD door** should only be opened when the CD is in Stop mode.



Selecting a track

1. Whilst the CD is playing, press either the **F.skip** or **B.skip** buttons to change to the desired track, the track number appears in the display.
2. You can also skip tracks when the player is in stop mode. Skip to the desired track using the **F.skip** or **B.skip** buttons. Press and hold the button to make the track numbers cycle, release the button when the desired track number is displayed.
3. Press the **Play/Pause** button to play the selected track.



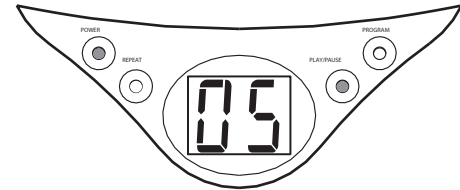
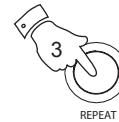
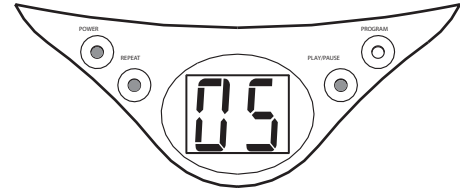
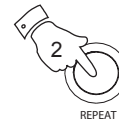
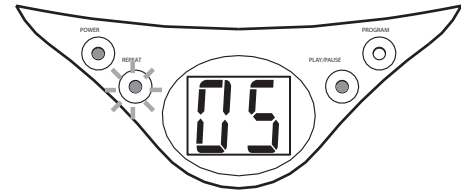
Search function

1. Whilst the CD is playing, press and hold down either the **F.skip** or **B.skip** buttons.
2. Release the button when the desired part of the track is reached.



CD repeat mode

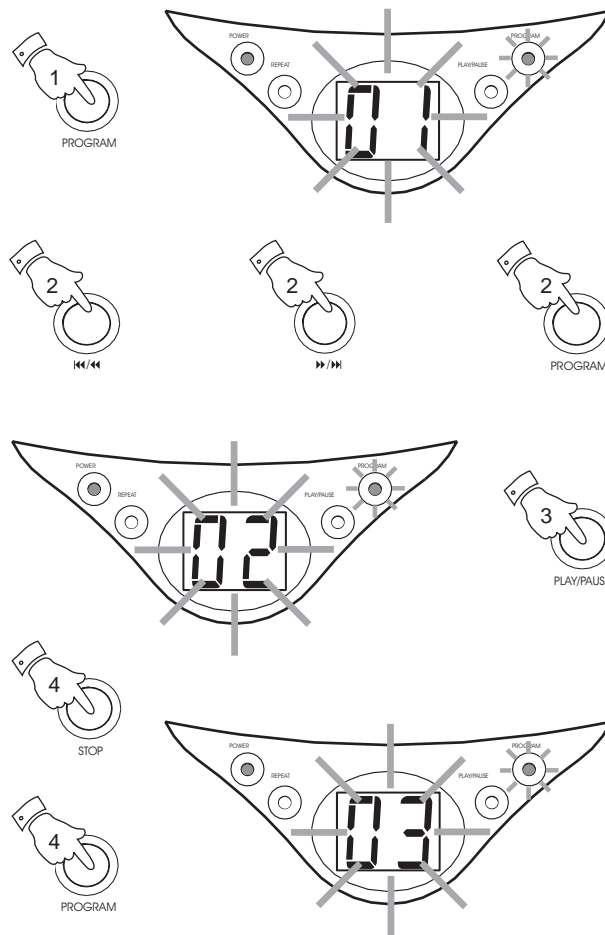
1. Whilst the CD is playing press the **Repeat button** once to repeat the current track. The **Repeat indicator** will flash.
2. Press the **Repeat button** again to repeat all tracks on the CD. The **Repeat indicator** will light up.
3. Press the **Repeat button** again to return to normal play. The **Repeat indicator** will switch off.



Programmed play

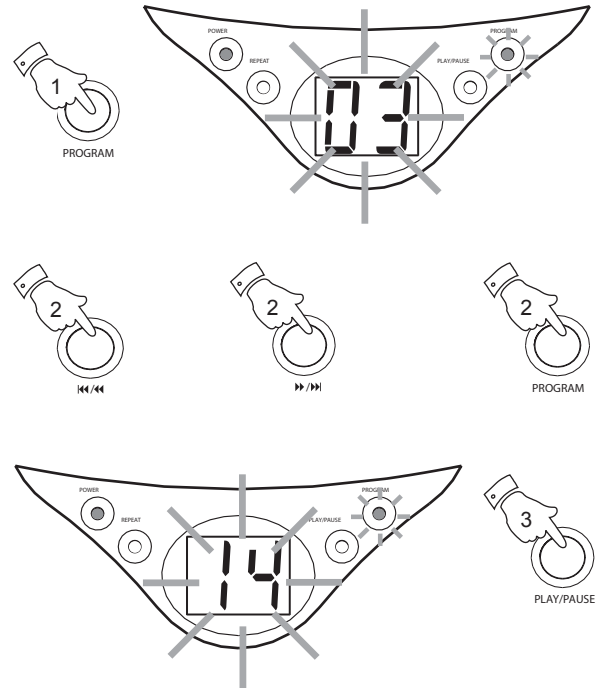
By programming the player you can play up to 20 tracks in any desired order.

1. Whilst the CD is in Stop mode, press the **Program button**. The display will flash '01' once before flashing '00'. The **Program indicator** will flash.
2. Select the first track using the **F.skip** or **B.skip** buttons. The track number will flash on the display. Store this track by pressing the **Program button**. The display will flash the next counter number ('02') once before flashing '00'.
3. Repeat the above steps until you have completed your program (maximum 20 tracks). Press the **Play/Pause** button to commence play of the selected tracks.
4. To stop the program press the **Stop button**. The display will show the total number of tracks. To resume program play press the **Program button**, the display will flash the program counter number ('03') once before flashing the programmed track number.



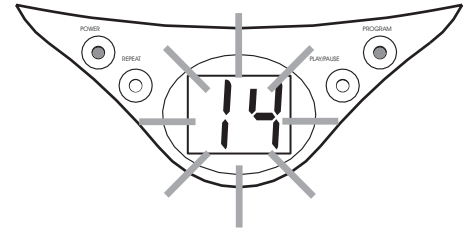
Editing a programme

1. Whilst the CD is in Stop mode, repeatedly press the **Program button** to step through the tracks programmed until you find the desired counter number. The display will flash the counter number ('03') once before flashing '00'. The **Program indicator** will flash.
2. Select a new track using the **F.skip** or **B.skip buttons**. The track number will flash on the display. Store this track by pressing the **Program button**. The display will flash the selected track number ('14'). The new track has been stored in the program.
3. Press the **Play/Pause** button to play the revised program tracks.



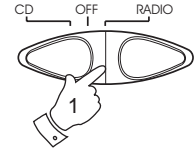
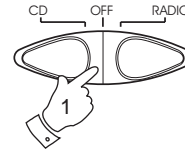
Checking a programme

1. Whilst the CD is in Stop mode, repeatedly press the **Program button** to step through the tracks programmed. The Display will flash each programmed track number in sequence.
2. Resume play by pressing the **Play/Pause button**.



Erasing a programme

1. Whilst the CD is in Stop mode, open the **CD door** to erase the programme. Programmes are also erased by changing position of the **Function switch** to the "Off" or "Radio" position.



Headphone socket

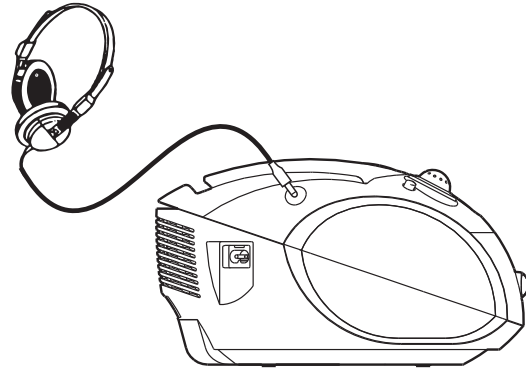
A 3.5mm **Headphone Socket** located on the left hand side of your radio is provided for use with headphones. Inserting a plug automatically mutes the internal loudspeaker.

Please be aware that the sensitivity of headphones can vary widely. We therefore recommend setting the volume to a low level before connecting headphones to the radio.

IMPORTANT: Excessive sound pressure from earphones and headphones can cause hearing loss.



To prevent possible hearing damage, do not listen at high volume levels for long periods.



General

Do not allow this unit to be exposed to moisture (e.g. dripping or splashing) or to temperatures exceeding 70 degrees centigrade. It is recommended that the FM band be used wherever possible as better results in terms of quality and freedom from interference will usually be obtained than on the MW/LW bands.

- The apparatus shall not be exposed to dripping or splashing and that no objects filled with liquids, such as vases, shall be placed on apparatus.
- Minimum distances (10cm) around the apparatus for sufficient ventilations
- The ventilation should not be impeded by covering the ventilation openings with items such as newspaper, table-cloths, curtains, etc.
- No naked flame sources such as lighted candles should be placed on the apparatus
- The use of apparatus in moderate climates.
- In case of malfunction due to electrostatic discharge, just reset the product (reconnect power source may be required) to resume normal position.
- The product must be used in a moderate climate.

Mains supply

The CR9959 will operate from a supply of AC 230volts, 50Hz \sim only.

For your convenience this product is supplied with a plug which is fitted with a fuse of the appropriate rating. If the plug supplied is not suitable for your socket outlet, it should be removed by unscrewing the plug top, the terminal screws and removing the cable.

The correct style of plug to suit your household together with a correctly rated fuse should be fitted.

IF IN DOUBT - CONSULT A QUALIFIED ELECTRICIAN

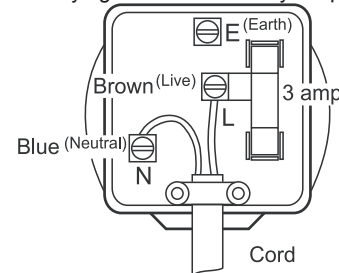
IMPORTANT: DO NOT make any connection to the larger terminal which is marked with the letter E or by the safety earth symbol \perp or coloured Green or Green-and-yellow.

The wires in the mains lead are coloured in accordance with the following codes :-

BLUE - NEUTRAL

BROWN - LIVE

As these colours may not correspond with the coloured markings identifying the terminals in your plug, proceed as follows:-



The wire coloured BLUE must be connected to the terminal marked N or coloured BLACK.

The wire coloured BROWN must be connected to the terminal marked L or coloured RED.

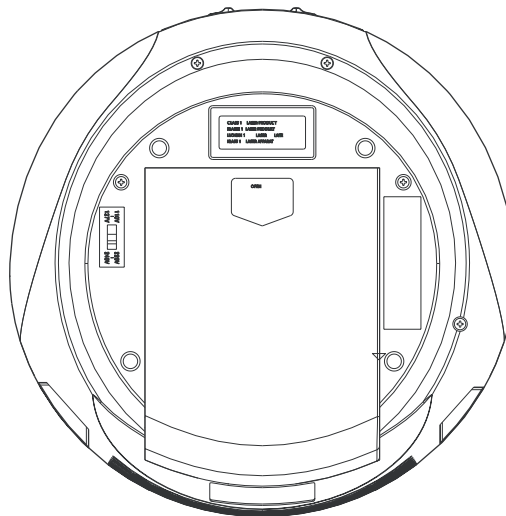
Fuse

This apparatus must be protected by a 3A fuse (BS1362) in a 13A plug (BS1363). If another type of plug is used a 5A fuse should be fitted in the plug, adaptor or distribution board.

IF IN DOUBT - CONSULT A QUALIFIED ELECTRICIAN.


(Underside)

The Nameplate is located on the underside of your CD radio.



Specifications

Power Requirements

Mains	AC 230 volts, 50Hz  only
Batteries	6 x LR14 (C size)

Frequency Coverage

FM	88 -108MHz
MW	525- 1605kHz
LW	150- 285kHz

Circuit Features

Loudspeaker		8ohms
Output Power		2 x 1.5 Watts
Headphone socket 3.5mm dia		
Aerial System	FM	Swivel Telescopic aerial
	MW	Built-in Ferrite bar aerial
	LW	Built-in Ferrite bar aerial

The Company reserves the right to amend the specification without notice.

Notes:

Notes:

Guarantee

This product is guaranteed for twenty four months from the date of purchase by the original owner against failure due to faulty workmanship or component breakdown, subject to the procedure stated below. Should any component or part fail during this guarantee period it will be repaired or replaced free of charge.

The guarantee does not cover:

1. Damage resulting from incorrect use.
2. Consequential damage.
3. Product with removed or defaced serial numbers.

N.B. Damaged or broken telescopic aerials will not be replaced under guarantee.

Procedure:

Any claim under this guarantee should be made through the dealer from whom the product was purchased. It is likely that your Roberts dealer will be able to attend to any defect quickly and efficiently, but should it be necessary the dealer will return the product to the company's service department for attention. In the event that it is not possible to return the product to the Roberts dealer from whom it was purchased, please contact Roberts Radio using the contact details on the www.robertsradio.com website.

For product repairs falling outside the guarantee period, please refer to the "customer care" tab on the www.robertsradio.com website.

These statements do not affect the statutory rights of a consumer.



Issue 5

ROBERTS RADIO LIMITED

PO Box 130
Mexborough
South Yorkshire
S64 8YT

Website: <http://www.robertsradio.com>

© 2016 Roberts Radio Limited

