

ROBERTS

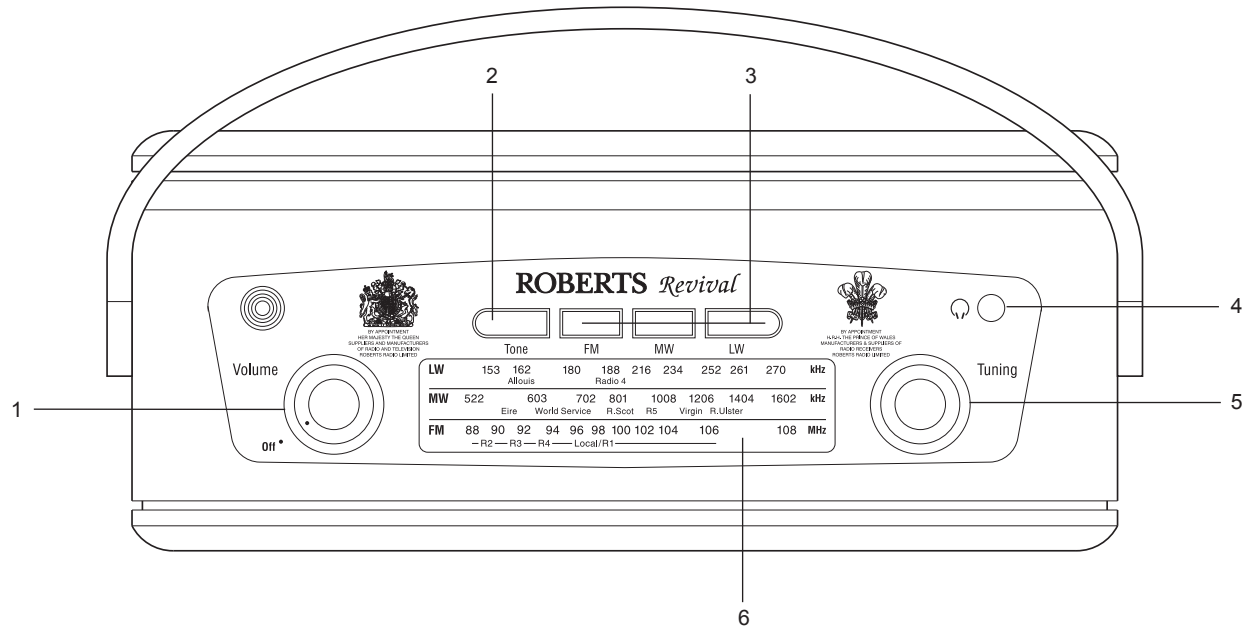
**3-band
Portable Radio**



Revival

Please read this manual before use

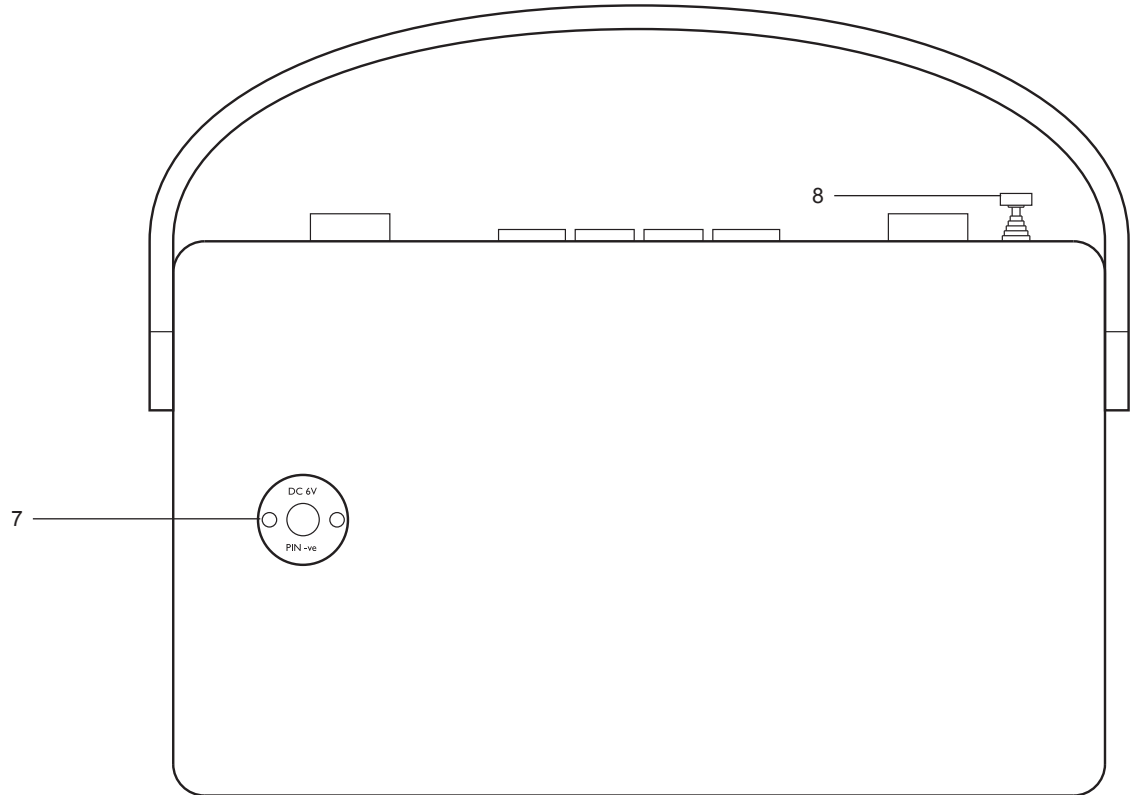
Controls (top panel)



1. On/Off and volume control
2. Tone control button
3. Waveband buttons

4. Headphone socket
5. Tuning control
6. Dial scale

Controls (rear)



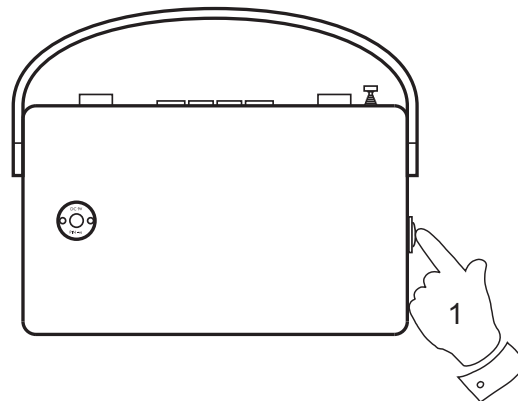
- 7. DC in socket
- 8. Telescopic aerial

Battery operation

1. Release the catch securing the rear door of your radio.
2. Insert four LR20 (D size) batteries into the spaces in the compartment. Take care to ensure all batteries are inserted with the correct polarity as shown inside the battery compartment. Close the rear door and secure the catch.
3. Reduced power, distortion and a 'stuttering' sound are all signs that the batteries may need replacing.
4. If the radio is not to be used for any extended period of time it is recommended that the batteries are removed from the radio.

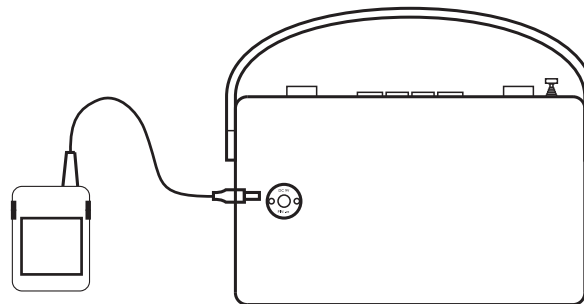
We would recommend for economy that the radio is used via the AC adaptor whenever possible with battery operation for occasional or stand-by use only.

IMPORTANT: The batteries should not be exposed to excessive heat such as sunshine, fire or the like. After use, disposable batteries should if possible be taken to a suitable recycling centre. On no account should batteries be disposed of by incineration.



Using the AC adaptor

1. Insert the adaptor plug into the DC in socket on the rear of your radio.
 2. Plug the adaptor into a standard 13A mains socket outlet. Whenever the adaptor is used the batteries are automatically disconnected. The AC adaptor should be disconnected from the mains supply and the radio when not in use.
- **IMPORTANT:** The mains adaptor is used as the means of connecting the radio to the mains supply. The mains socket used for the radio must remain accessible during normal use. In order to disconnect the radio from the mains completely, the mains adaptor should be removed from the mains socket outlet completely.



Radio operation

Your radio is equipped with three wavebands to enable you to select the programme of your choice. The FM band uses an external telescopic aerial which should be fully extended and rotated for best reception. MW and LW bands are received by an internal aerial which is directional. To achieve the best reception, it may be necessary to rotate the radio.

1. Switch on the radio by rotating the **volume control** clockwise until a click is heard.
2. Depress the appropriate **waveband button** for FM MW or LW as required.
3. Tune to the desired programme by adjusting **tuning control**. On MW and LW the tuning scale is marked in kilohertz (kHz) and on FM in megahertz (MHz).
4. Adjust the **volume** and **tone controls** to the desired tone and sound level. Depressing the tone control button reduces high frequencies (treble).

Headphones

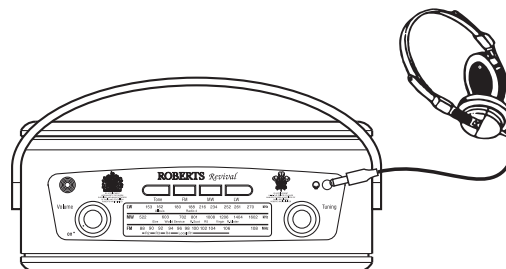
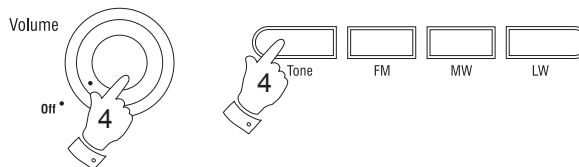
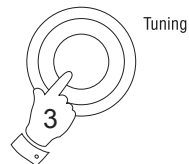
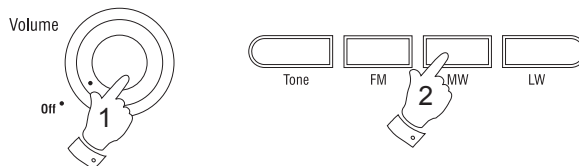
A 3.5mm socket is provided for use with either headphones or an earpiece. Inserting a plug automatically mutes the internal loudspeaker.

Please be aware that the sensitivity of headphones can vary widely. We therefore recommend setting the volume to a low level before connecting headphones to the radio.

IMPORTANT: Excessive sound pressure from earphones and headphones can cause hearing loss.

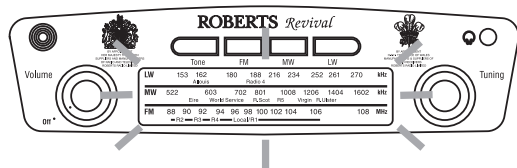


To prevent possible hearing damage, do not listen at high volume levels for long periods.



Display backlight

1. When your radio is powered by the AC mains or the batteries the display backlight will always be switched on.



Care

Please handle with care. The leather-cloth finish may be susceptible to damage if mistreated. Avoid all contact with any abrasive material, chemical substances or cleaning solutions. Your radio may be wiped with a clean lightly damp cloth.

Please ensure that the product is unplugged from the mains socket outlet before attempting this procedure.

General

Do not allow this unit to be exposed to water, steam or sand. Do not leave the unit where excessive heat could cause damage such as in a parked car where the heat from the sun can build up even though the outside temperature may not seem too high. It is recommended that the FM band be used wherever possible as better results in terms of quality and freedom from interference will usually be obtained than on the MW or LW bands.



Specifications

Mains	AC 230 volts, 50Hz ~ only (adaptor)
Batteries	4 x LR20 (D size)

Battery life

Approx. 170hrs of listening for 4 hours a day at normal volume using alkaline cells.

Circuit features

Output power	800mW
Headphone socket	3.5mm dia
Loudspeaker	3 inches, 4 ohms

Frequency coverage

FM	87.5 - 108MHz
MW	522 - 1620kHz
LW	150 - 281kHz

The Company reserves the right to amend the specification without notice.

- Your radio should not be exposed to dripping or splashing and that no objects filled with liquids, such as vases, shall be placed on the radio.
- It is recommended to operate the product such that there is a minimum distance (10cm recommended) to adjacent objects in order to ensure good ventilation.
- The ventilation of the product should not be restricted by covering it or its ventilation openings with items such as newspapers, tablecloths, curtains etc.
- No naked flame sources such as lighted candles should be placed on the product.
- It is recommended to avoid using or storing the product at extremes of temperature. Avoid leaving the unit in cars, on window sills, in direct sunlight etc.

Guarantee

This product is guaranteed for twelve months from the date of purchase by the original owner against failure due to faulty workmanship or component breakdown, subject to the procedure stated below. Should any component or part fail during this guarantee period it will be repaired or replaced free of charge.

The guarantee does not cover:

1. Damage resulting from incorrect use.
2. Consequential damage.
3. Product with removed or defaced serial numbers.

N.B. Damaged or broken telescopic aerials will not be replaced under guarantee.

Procedure:

Any claim under this guarantee should be made through the dealer from whom the product was purchased. It is likely that your Roberts dealer will be able to attend to any defect quickly and efficiently, but should it be necessary the dealer will return the product to the company's service department for attention. In the event that it is not possible to return the product to the Roberts dealer from whom it was purchased, please contact Roberts Radio using the contact details on the www.robertsradio.com website.

For product repairs falling outside the guarantee period, please refer to the "customer care" tab on the www.robertsradio.com website.

These statements do not affect the statutory rights of a consumer.



Issue 4

ROBERTS RADIO LIMITED

PO Box 130
Mexborough
South Yorkshire
S64 8YT

Website: <http://www.robertsradio.com>

© 2005, 2014 Roberts Radio Limited

